

# cronopower™



*Intelligent charging for  
battery motors*



## MotorTap™

- Works with most motor manufacturers
- Charging for 5V, 12V, and 16.8V motors
- Connections for two motors
- Includes two RJ45 Power Bus connections
- User Button for testing, initiating a charge, and system setup
- Feedback LED
- Does not trickle charge batteries
- Works with rechargeable tubular motors, drapery motors, cellular/tilt motors, and external battery packs

*Designed and assembled  
in the USA*

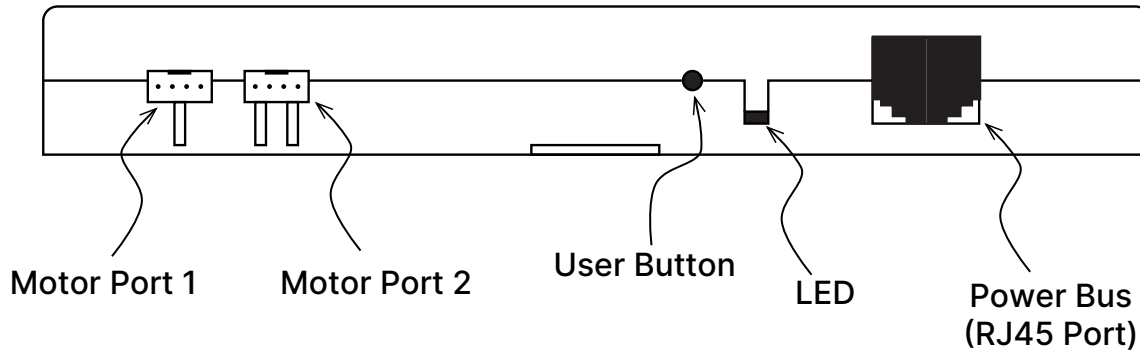
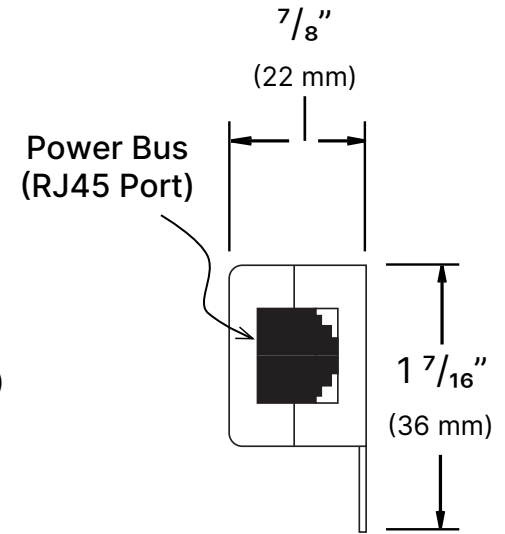
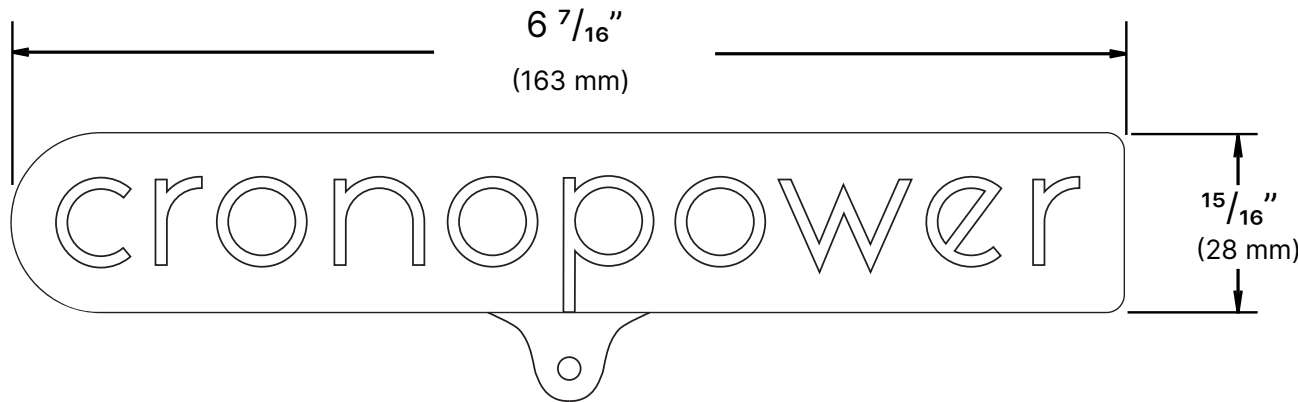
© 2023-24 Cronopower, LLC  
Patent Pending

Part: MotorTap  
Part Number: MT-1



# cronopower

# MotorTap™



Part	MotorTap
IP Rating	IP20
Voltage Output	5V, 12V, 16.8V
Charge Intervals	3 or 6 months
Temperature Range	32-120F (0-49C)
Power Bus Voltage	24 Volt
Color	White

© 2023-24 Cronopower, LLC  
Patent Pending

Part: MotorTap  
Part Number: MT-1

